

Angular Contact Ball Bearings

Bearing No. : **NACHI 7212DT**

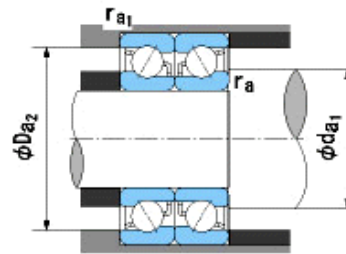
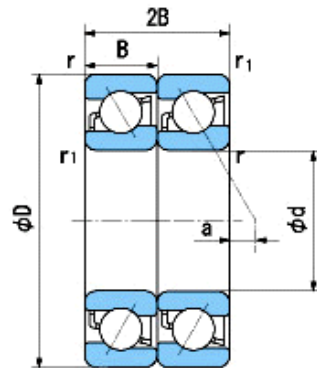
■ Bearing Type

■ Clearance

■ Tolerance Class

Dimensions

d = 60⁰_{-0.015}
 D = 110⁰_{-0.015}
 B = 22⁰_{0.000}
 r = 1.5~2.3
 (Radial Direction)
 r = 1.5~4
 (Axial Direction)
 r1 = 1~1.9
 (Radial Direction)
 r1 = 1~3
 (Axial Direction)
 a = 13.5



Dimensions

da1(min) = 69
 da2(min) = 65
 Da1(max) = 101
 Da2(max) = 104.6
 ra(max) = 1.5
 ra1(max) = 1
 Mass = 1.64 kg

Basic Dynamic Load Rating Cr :	100,000 N
Basic Static Load Rating Cor :	97,500 N
Limiting Speed ;	
Grease Lubrication :	4,300 min ⁻¹
Oil Lubrication :	5,600 min ⁻¹

	INNER RING	OUTER RING
O.D.Surface Runout with Side :		-
Axial Runout with Bore :	-	
Axial Runout with Raceway :	-	
Width Variation :	0.025	0.025
Radial Runout :	0.020	0.035